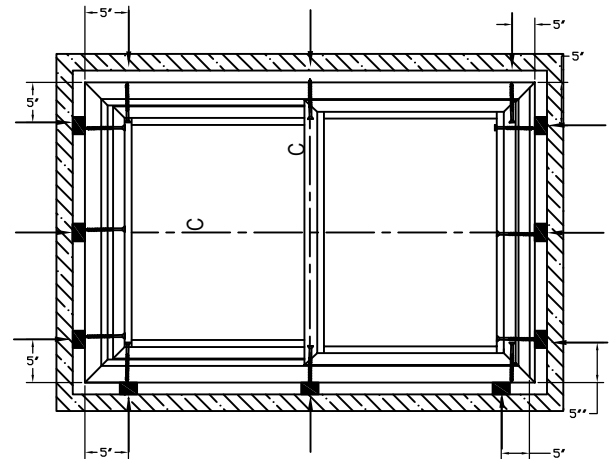
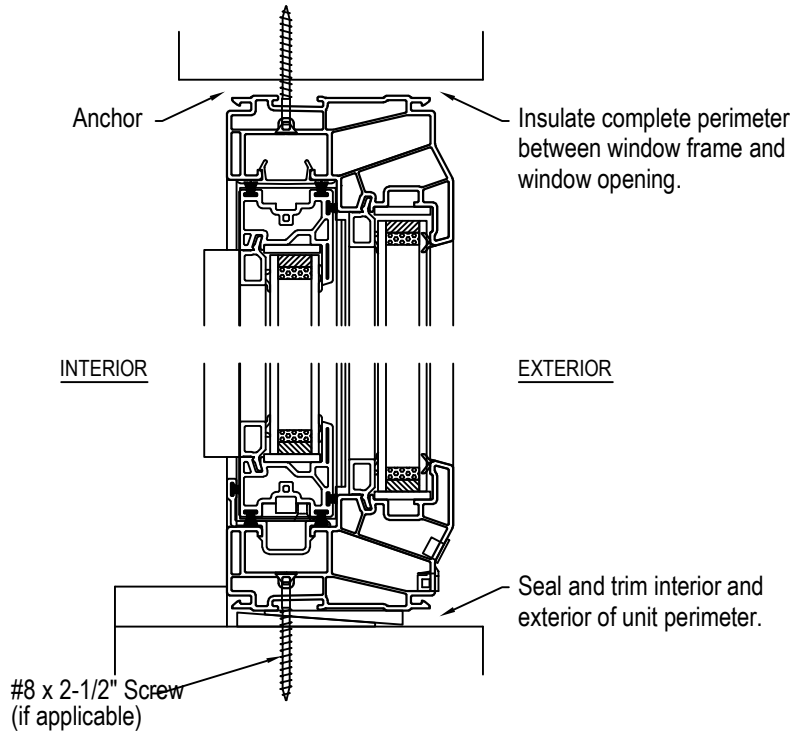


# INSTALLATION INSTRUCTIONS

## SERIES #1372 SINGLE SLIDER LIFTOUT WINDOW

SHIMMING LOCATIONS  
DEPENDING ON UNIT SIZE



- 1.) Do not cut center banding.
- 2.) Check rough opening to ensure that the window unit will fit. Rough opening should be 1/4" to 1/2" larger than the window, both horizontally and vertically.
- 3.) Center frame in opening so there is equal space between the jambs of the frame and the jambs of the rough opening.
- 4.) Unlock window, and slide sashes to center.
- 5.) Locate side jamb covers (snap in covers, with weatherstripping on left side jamb, and flat pocket cover on right side jamb of window) and remove them by inserting a sharp chisel and prying.
- 6.) Shim side jamb frame members 5" from top and bottom and approximately 16" intervals. Shims should be firm but not tight enough to cause the jambs to bow. Check level, plumb, and squareness of frame and adjust shims if necessary.
- 7.) Install screws through pockets of the frame where jamb covers were removed, at each shim location, being careful not to bow frame. Suggest using #8 x 2-1/2" screws. Screw length is dependent upon frame structure, screw length must be of sufficient length to securely anchor unit in opening.
- 8.) Close sash and lock window.
- 9.) Shim frame sill members at center and place additional shims 5" from each end and at 16" intervals.  
To ensure a proper seal the gap between sash and frame should be the same at the midpoint as at either end.
- 10.) Cut and remove center banding.
- 11.) Remove operating sash.
- 12.) In exposed head track, fasten screws through frame at the center, at 5" from each corner, and at 16" centers.
- 13.) Remove interior sill cover (snap in cover with weatherstripping), by prying with a sharp chisel, and then fasten screws through sill pocket.
- 14.) **IMPORTANT:** When anchoring unit through sill, place screws at shim locations and seal screw heads with NS approved silicone.
- 15.) Snap interior sill cover back into frame.
- 16.) Snap side jamb covers back into appropriate frame members.
- 17.) Put sash back into frame and check that the gap between sash and frame remain constant over the entire width of the window.  
The window unit can be readjusted by loosening the screws, leveling, shimming and re-tightening them as required.
- 18.) Insulate between the window frame and the rough opening, ensuring all voids are filled.  
Caution must be exercised not to over pack the insulation causing unit frame to distort.
- 19.) Seal and trim window inside and out to suit application

North Star Windows and Doors warranty is only valid, if one of these two methods are followed.

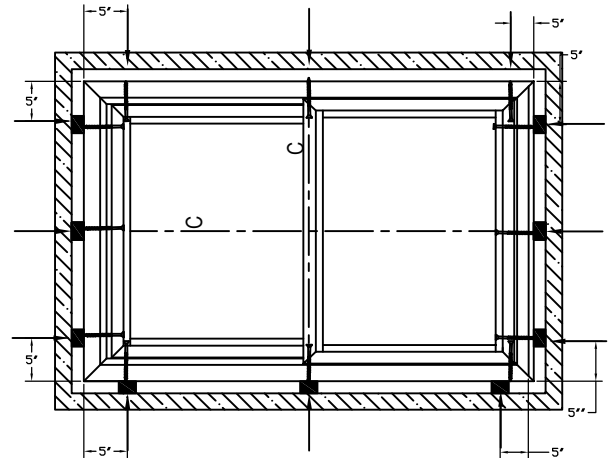
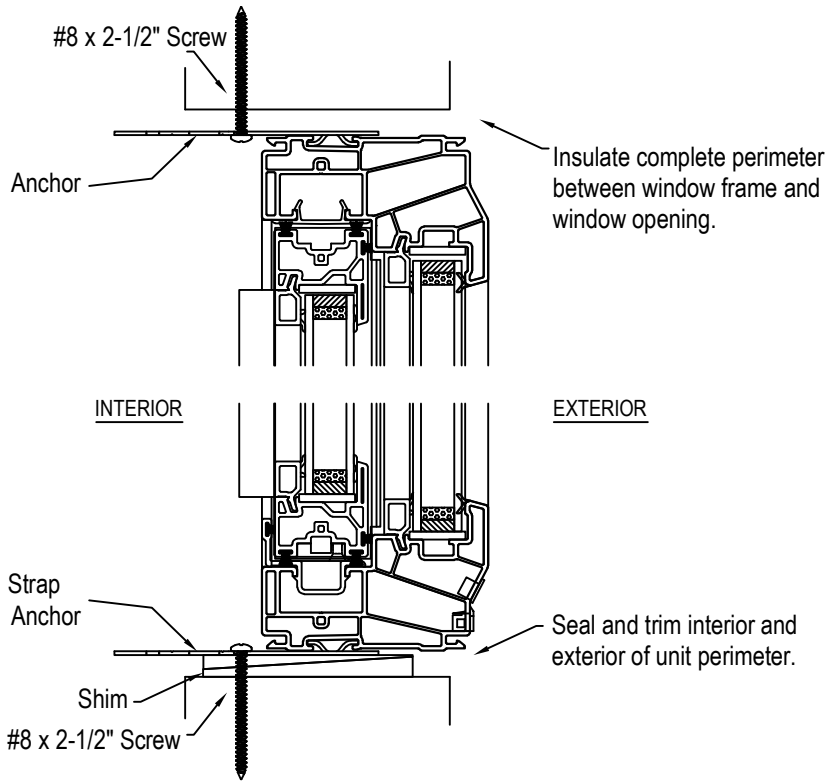


REVISION	BORDERS UPDATE	ND. 2	BY HA	DATE 11-21	DWG. NO.	ID0022	
TITLE				DIMENSIONS ARE IN INCHES. SPECIFIED TOLERANCES: DIM<0.050:±/0.008 0.051-0.100:±/0.010 0.101-0.125:±/0.015 0.126-0.25:±/0.018 0.251-0.500:±/0.020 0.501-1.000:±/0.025 DIM>1.000:±/0.030	DRAWN	HA	DATE 04-21
SINGLE SLIDER LIFTOUT WINDOW SERIES #1372 UNIT ANCHORING LOCATION					CHECKED		DATE 04-21
CONFIDENTIAL The information contained in this document is strictly proprietary to North Star Windows and Doors may not be used in any way or for any purpose outside of the company without the express written consent.					APPROVED	GS	DATE 04-21
					SCALE	1:1 plot 1:3	SIZE

# INSTALLATION INSTRUCTIONS

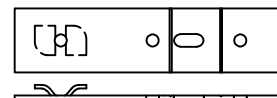
## SERIES #1372 SINGLE SLIDER LIFTOUT WINDOW

SHIMMING LOCATIONS  
DEPENDING ON UNIT SIZE



- 1.) Check rough opening to ensure that the window unit will fit. The rough opening should be 1/4" to 1/2" larger than the window, both horizontally and vertically.
- 2.) Place the galvanized steel strap anchor clips 2" in from each corner, at the meeting rail and then at approximately 16" intervals around the window.
- 3.) Center frame in opening so there is equal space between the jambs of the frame and the jambs of the rough opening.
- 4.) Shim sill so it is level and 1/8" to 1/4" off the sill plate.
- 5.) Shim behind each clip location. Check that the seal gap between the operating sash and the frame is uniform.  
Add shims if necessary.  
Check: Shims should be firm but not tight enough to cause the jambs to bow.  
Check: level, plumb and squareness of frame and adjust shims if necessary
- 6.) Install using suggested #8 x 2" screws at each of these locations
- 7.) Insulate between the window frame and the rough-opening, ensuring all voids are filled. Caution must be exercised not to over pack the insulation, causing unit frame to distort.
- 8.) Seal and trim window inside and out to suit application.

Strap  
Anchor



North Star Windows and Doors warranty is only valid, if one of these two methods are followed.



REVISION	BORDERS UPDATE	ND. 2	BY HA	DATE 11-21	DWG. NO. ID0022	
TITLE				DIMENSIONS ARE IN INCHES.	DRAWN HA	DATE 04-21
SINGLE SLIDER LIFTOUT WINDOW SERIES #1372 UNIT ANCHORING LOCATION				SPECIFIED TOLERANCES:	CHECKED	DATE 04-21
				0.051-0.100: +/-0.010 0.101-0.125: +/-0.015 0.126-0.25: +/-0.018 0.251-0.500: +/-0.020 0.501-1.000: +/-0.025 DIM>1.000: +/-0.030	APPROVED GS	DATE 04-21
CONFIDENTIAL The information contained in this document is strictly proprietary to North Star Windows and Doors may not be used in any way or for any purpose outside of the company without the express written consent.				SCALE	1:1 plot 1:3	SIZE