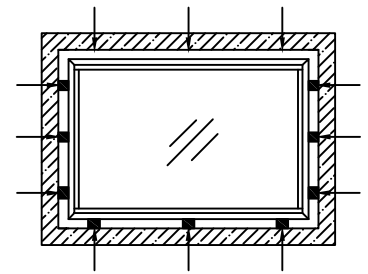


# INSTALLATION INSTRUCTIONS

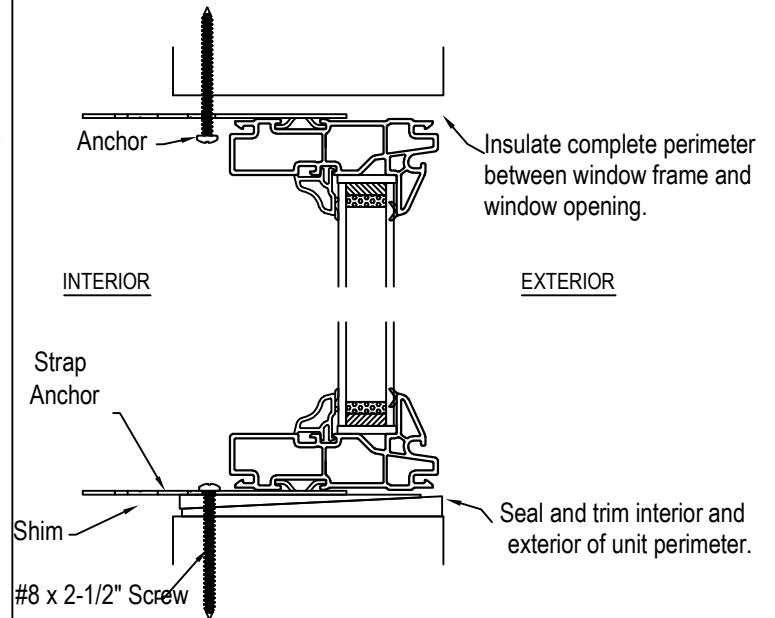
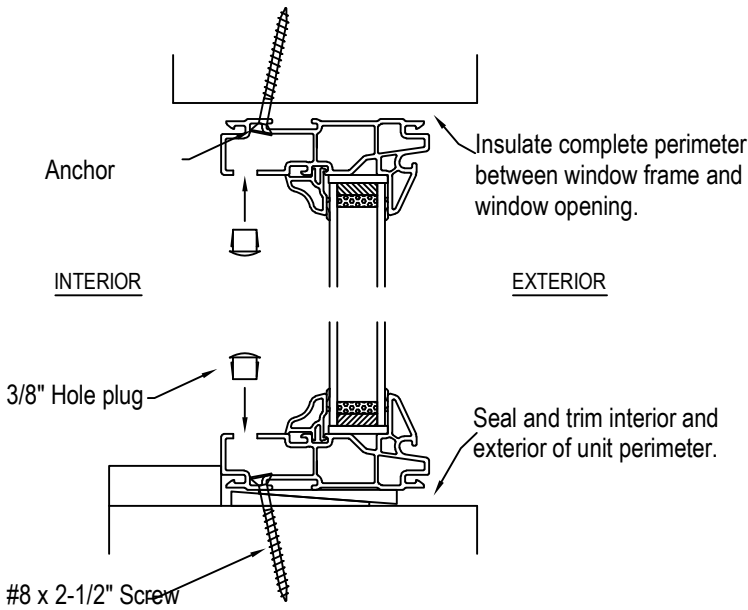
## SERIES #1071 FIXED WINDOW (NO SASH)

SHIMMING/ANCHOR LOCATIONS  
DEPENDING ON UNIT SIZE



### METHOD 1: SCREWING THROUGH THE FRAME:

### METHOD 2: USING A INSTALLATION CLIP/ ANCHOR



1.) Check rough opening to ensure that the window unit will fit. The rough opening should be 1/4" to 1/2" larger than the window, both horizontally and vertically.

### METHOD 1: SCREWING THROUGH THE FRAME:

- 2.) Center frame in opening so there is equal space between the jambs of the frame and the jambs of the rough opening.
- 3.) Shim sill so it is level and 1/8" to 1/4" off the sill plate. Shim placement should be 5" in from each corner and then at approximately 16" intervals around the window. **Do not install shims at the head.** Recommendation: shims at the sill should be placed beneath insulating glass unit setting blocks (lift the glass stop at the sill to ensure correct shim placement).  
Check: Shims should be firm but not tight enough to cause the jambs to bow.  
Check: level, plumb and squareness of frame and adjust shims if necessary
- 4.) At each shim location, drill a 3/8" diameter hole through first wall of the interior frame. Drill additional holes at the head parallel to the shims at the sill.
- 5.) Install using suggested #8 x 2-1/2" screws at each of these locations being careful not to bow frame. Screw length is dependent upon framing structure and must be of sufficient length to securely anchor unit in opening.
- 6.) Cap the 3/8" diameter holes with 3/8" plastic hole plugs.
- 7.) Insulate between the window frame and the rough-opening, ensuring all voids are filled. Caution must be exercised not to over pack the insulation, causing unit frame to distort.
- 8.) Seal and trim window inside and out to suit application.

### METHOD 2: USING A INSTALLATION CLIP/ANCHOR

- 2.) Place the galvanized steel strap anchor clips 2" in from each corner and then at approximately 16" intervals around the window.
- 3.) Center frame in opening so there is equal space between the jambs of the frame and the jambs of the rough opening.
- 4.) Shim sill so it is level and 1/8" to 1/4" off the sill plate. Shim behind each clip location so that the window is level, plumb and square. **Do not install shims at the head.** Recommendation: shims/clips at the sill should be placed beneath insulating glass unit setting blocks (lift the glass stop at the sill to ensure proper shim placement).  
Check: Shims should be firm but not tight enough to cause the jambs to bow.  
Check: level, plumb and squareness of frame and adjust shims if necessary
- 5.) Install using suggested #8 x 2-1/2" screws at each of these locations
- 7.) Insulate between the window frame and the rough-opening, ensuring all voids are filled.  
Caution must be exercised not to over pack the insulation, causing unit frame to distort.
- 8.) Seal and trim window inside and out to suit application.

Strap Anchor



North star Windows and Doors warranty is only valid, if one of these two methods are followed.



REVISION	BORDERS UPDATE	ND. 2	BY HA	DATE 11/29/21	DWG. NO. 1071-II001-A	
TITLE				DIMENSIONS ARE IN INCHES.	DRAWN HA	DATE 9/04/21
FIXED WINDOW (NO SASH) SERIES #1071 UNIT ANCHORING LOCATION				0.051-0.100: +/0.010	CHECKED	DATE 11/29/21
				0.101-0.125: +/0.015	APPROVED GS	DATE 11/29/21
<small>CONFIDENTIAL</small> The information contained in this document is strictly proprietary to North Star Windows and Doors may not be used in any way or for any purpose outside of the company without the express written consent.				0.126-0.25: +/0.018	SCALE N/A	SIZE REF
				0.251-0.500: +/0.020		
				0.501-1.000: +/0.025		
				DIM>1.000: +/0.030		